

MULTI PACKER



RECOPAK
PACKAGING MACHINERY SOLUTIONS



MODULAR DESIGN

QUICK SIMPLE CHANGE OVER

ROBUST LASER CUT FRAMEWORK

RELIABLE CONSISTENT OPERATION

OPERATOR FRIENDLY CONTROL SYSTEM

100% AUSTRALIAN DESIGNED AND MANUFACTURED

MULTI PACKER

Machine Description

The Recopak combination Basket Packer and neck through Wrap Packer with Hot Melt glued base is unique to the market.

This semi automatic machine is capable of handling both baskets and wraps with speeds of upto 30 packs per minute. Straight through operation for loose product is at the touch of a button.

NO external bypass conveyors are necessary.

Recopak offer a complete solution to your Multi Pack requirements based on your product needs and marketing goals.

Every machine built on our factory floor is thoroughly tested and undergoes real work conditions to ensure you smooth turnkey operation.

The HMI rotates about the centreline of the machine to provide operator control from either side of the machine.

Full size guard doors offer complete access for operator intervention.



Technical Data

Main Voltage:	400 Volt – 3 Phase (5 wire)
Control Voltage:	24 Volt DC
Control System:	Allen Bradley PLC (Standard)
Pneumatics:	FESTO (Standard)
Electrical Load:	6 kW
Air Supply:	Clean dry air at minimum Pressure of 560 Kpa
Speed:	Up to 30 packs per minute
Hot Melt:	Nordson Model Problue 7 (Standard)

Machine Features:

- Straight through BYPASS for loose product
- Centrally adjusted infeed guides
- Simple and reliable product grouping system
- Robust stainless steel laser cut frame with brushed finish
- Electrically interlocked polycarbonate guarding
- Hot melt bottom seal
- Product transfer system protected by electronic torque limited control



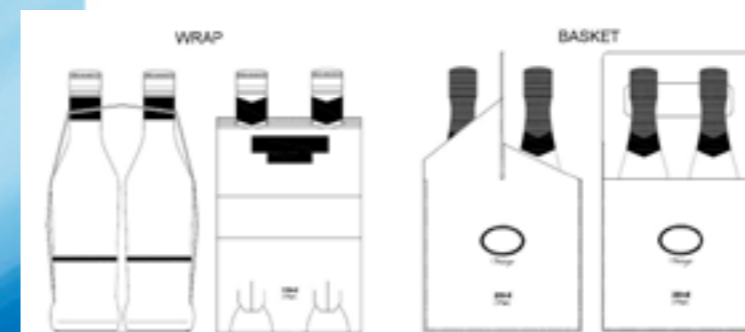
Safety is a priority

The product entry area incorporates a safety light curtain system to ensure ultimate operator safety without compromising ease of operation. All Recopak machinery complies with Australian Safety and Electrical Standards.



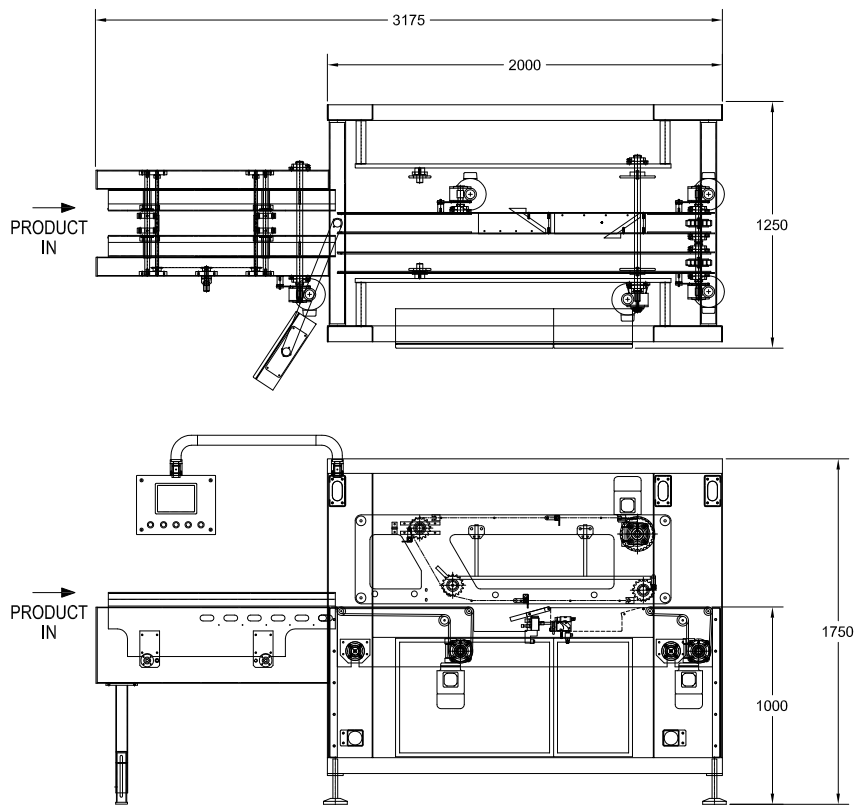
Loose bottle bypass

Upon selection of a product which needs to travel straight through the machine (without wrap or basket) the internal bypass conveyor is automatically shifted into position by the push of a button from the HMI screen. This eliminates the need for an external bypass conveyor.





RECOPAK
PACKAGING MACHINERY SOLUTIONS



About Recopak

Recopak are the leaders in the design and manufacture of quality packaging machinery. Our product range is continually expanding to suit the ever changing needs of the industry.

In addition to the Recopak range we have carefully selected partners to work with; which enables us to also offer you the most innovative and up-to-date packaging solutions for your company needs.

Recopak employs highly skilled and qualified personnel to provide a complete package from sales, design, installation, after sales technical support and spare parts.

Innovative by design, Recopak machines are finished to the highest standard and have aesthetically pleasing appearance, robust construction, quick - simple size change, accessibility for maintenance and operator safety are a major priority.

Tougher

Packaging equipment needs to have longevity built in. At Recopak our equipment is made to last! We design toughness into every product we manufacture, utilizing the highest quality materials ensures our quality control is second to none.

Smarter

We are manufacturing smarter packaging machinery to make life easier for you and your team...Easy to operate, easy to maintain and designed to keep you on-line for maximum productivity.

Safety

Your most valuable asset is your staff. Our machinery is designed to put their safety first. We comply to all current Australian Safety Standards.

Innovative

Our Research & Development Team continually navigate the globe for the latest innovations and best practices. We incorporate these features into our equipment so you get the latest technological solutions today.

Support

Recopak machines are completely manufactured "In House" by our team of designers, engineers and technicians; that is why we have the expertise to offer our customers complete after sales service and a support that is "second to none".

RECOPAK MACHINERY PTY LTD
4 Schubert Street (P.O. Box 385)
COBRAM, Victoria 3644
Telephone: +61 03 5871 1955
Facsimile: +61 03 5871 1149
Email: admin@recopak.com.au
www.recopak.com.au